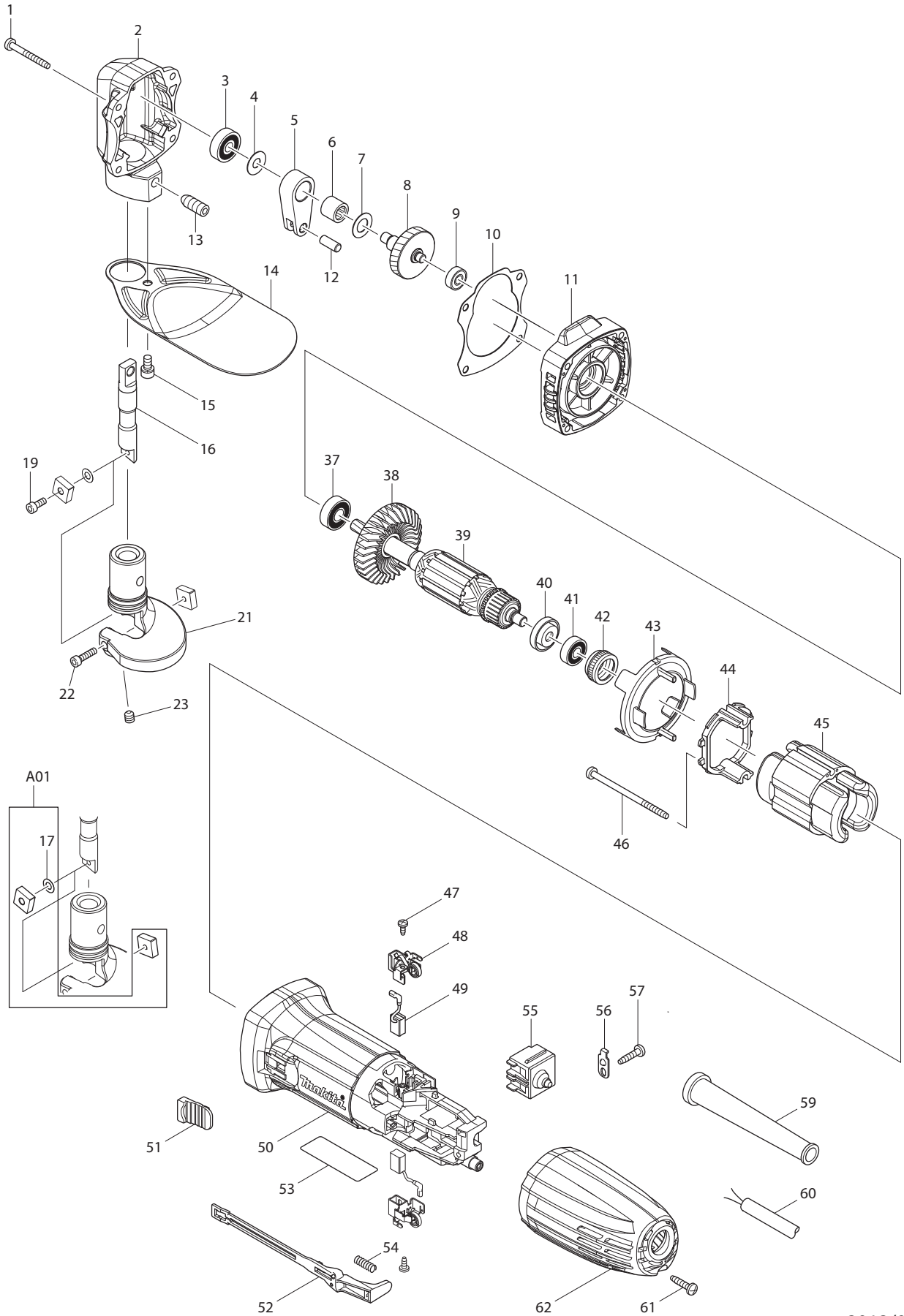




07 - 2012
JS1602
16 GAUGE SHEAR



Item No.	Type	Sub	Part No.	Description	Qty	Unit
1			266053-1	TAPPING SCREW 4X35	4	PC.
2			141691-9	GEAR HOUSING COMPLETE	1	PC.
		INC.	800H33-1	INDICATION LABEL (PICTURE)	1	PC.
3			210030-5	BALL BEARING 627ZZ	1	PC.
4			253823-7	FLAT WASHER 7	1	PC.
5			331151-1	ROD	1	PC.
6			212063-6	NEEDLE BEARING 1012	1	PC.
7			253758-2	FLAT WASHER 10	1	PC.
8			141690-1	CRANK SHAFT COMPLETE	1	PC.
		INC.	227760-1	HELICAL GEAR 44	1	PC.
9			210033-9	BALL BEARING 696ZZ	1	PC.
10			442185-0	GASKET	1	PC.
11			454076-3	GEAR HOUSING COVER	1	PC.
12			256110-3	PIN 6	1	PC.
13			913427-4	SET SCREW M8X16	1	PC.
14			346620-9	PROTECTOR	1	PC.
15			922206-9	HEX. SOCKET HEAD BOLT M5X10	1	PC.
16			321311-3	BLADE HOLDER	1	PC.
17			253334-2	THIN WASHER 5	1	PC.
19			922112-8	HEX. SOCKET HEAD BOLT M4X10	1	PC.
21			311717-3	YOKE	1	PC.
22			922127-5	HEX. SOCKET HEAD BOLT M4X16	1	PC.
23			251986-3	H.S.SET SCREW(FLAT POINT)M6X6	1	PC.
37			210005-4	BALL BEARING 608DDW	1	PC.
38			240076-7	FAN 56	1	PC.
39			517671-1	ARMATURE ASS'Y 115V	1	PC.
		INC.		Item No. 37,38,40,41		
40			681636-0	INSULATION WASHER	1	PC.
41			210062-2	BALL BEARING 607ZZ	1	PC.
42			421868-5	LABYRINTH RUBBER RING 19	1	PC.
43			450796-7	BAFFLE PLATE	1	PC.
44			452073-3	SPACER	1	PC.
45			623546-5	FIELD	1	PC.
46			266004-4	TAPPING SCREW 4X70	2	PC.
47			265954-0	TAPPING SCREW BIND PT3X8	2	PC.
48			643839-4	BRUSH HOLDER 6X9	2	PC.
49			195025-8	CARBON BRUSH CB-458 2PC/SET W/ORIGIN	1	SET
50			450795-9	MOTOR HOUSING	1	PC.
51			418016-5	SWITCH KNOB	1	PC.
52			450797-5	SWITCH LEVER	1	PC.
53			897764-3	NAME PLATE F/JS1602	1	PC.
54			233121-5	COMPRESSION SPRING 4	1	PC.
55			650621-4	SWITCH PS10	1	PC.
56			687681-3	STRAIN RELIEF	1	PC.
57			265995-6	TAPPING SCREW 4X18	1	PC.
59			682559-5	CORD GUARD 8	1	PC.
60			664064-4	CORD W/PLUG 2P-18-2.5M SJ	1	PC.
61			265995-6	TAPPING SCREW 4X18	1	PC.
62			453884-9	REAR COVER	1	PC.
C01			873761-3	CARTON F/JS1602	1	PC.
D01			652044-2	+BIND SCREW M3.5X5.0	2	PC.
D02			652263-0	CLAMP WASHER	2	PC.
E01			800H34-9	CAUTION LABEL	1	PC.
<u>ACCESSORIES</u>						
A01			191383-0	SHEAR BLADE SET 2PC/SET	1	SET
		INC.		Item No. 17		
A02			783201-2	HEX. WRENCH 3	1	PC.
A03			410048-8	WRENCH HOLDER 3.4	1	PC.